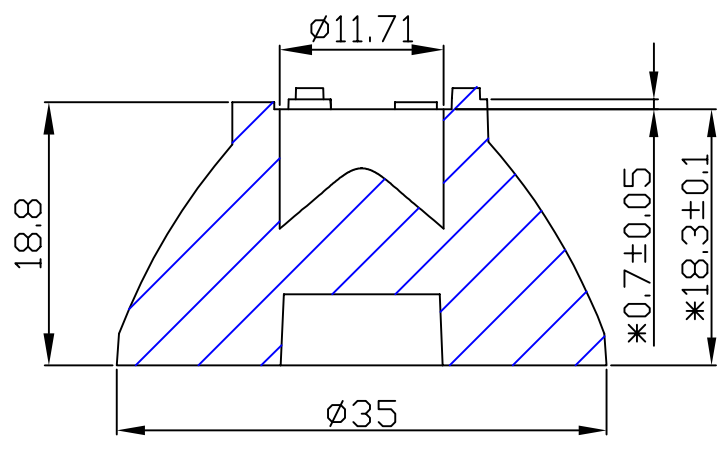
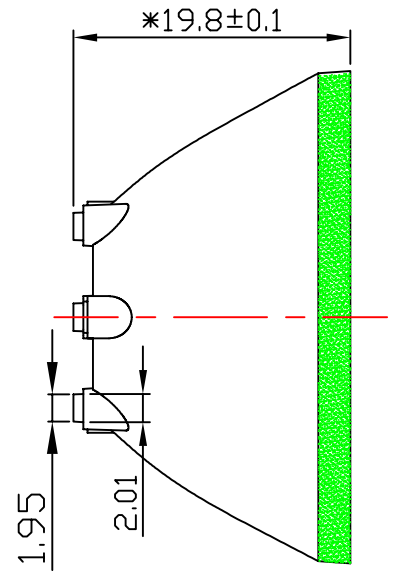
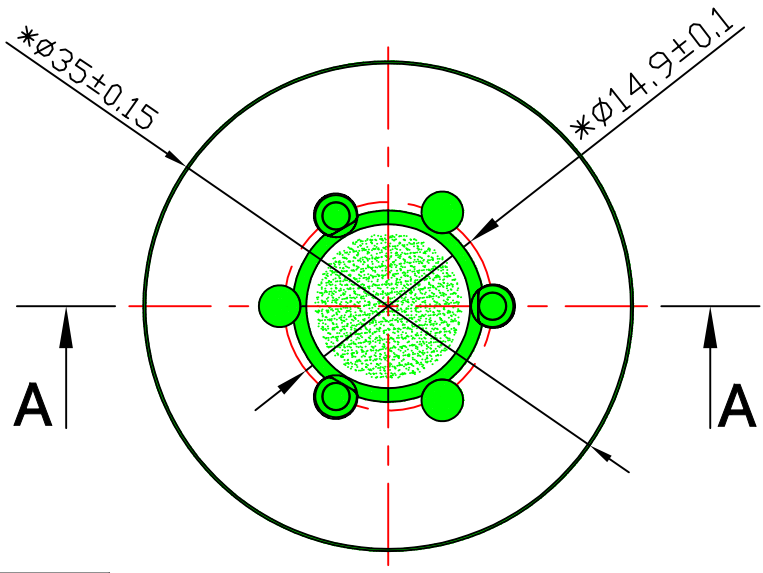


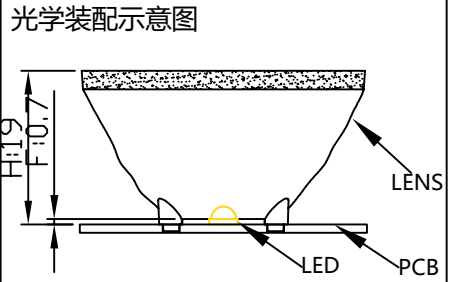
“\*” MARK AS CRITICAL SIZE  
 UNDEFINED TOLERANCE REFER TO  
 GB/T14486-2008-MT6  
 UNIT:MM



A-A



Light Source	CREE XP-E2
PlasticHolder	
Metal Adaptor	
Design Angle	3°-5°
Measured Angle	4.3°
Efficiency	



Technical requirements:  
 1.MATERIAL: PMMA.  
 2.unmarked rounded corners Press for 3D.

				P/N: 91.61.0188.000		版本 VERSIONS K	
				产品名称 PRODUCT NAME		61-0188	
				客户代号 CUSTOMER ID		NT	
				客户编号 CUSTOMER CODE		LENS-35-3D	
标记 MARK	处数 NO.OF MODIF	更改内容 MODIFICATIONS	签名 SIGNED BY	更改日期 MODIF. DATE			
1							
设计 DESIGNER	制图 DRAWN BY	审核 CHECKED BY	比例 SCALE	视角 VIEW			
工艺 TECHNICAN	日期 DATE(DD-MM-YYYY)	30-10-2023	1:1				
批准 APPROVED BY			页数 PAGE	SHEET 1 OF 1	ENGINEERING DRAWING		
					Nata®		